



Spare Parts Catalog

8 HP 90 A HIS SW

Material number: 1091.036.004

ZF Friedrichshafen AG

Hauptverwaltung

80038 Friedrichshafen

Deutschland

Telefon: +49 7541 77-0

Telefax: +49 7541 77-908000

www.zf.com

zuständiges Werk:

Saarbrücken



Pos.	Information	Amendment number
001	Use case -----	
002	Customer Audi AG	
003	City Ingolstadt	
004	DUNS 31-573-1679	
005	Vehicle / Apparatus -----	
006	Sales Name AUDI A8	
007	Manufacturer Audi AG	
008	Engineering Name D4	
009	Product Use CAR	
010	Vehicle/Hardware Type LIMOUSINE	
011	SOP	
012	Engine	
013	Sales Designation	
014	Manufacturer Audi AG	
015	Drivetrain type DIESEL	
016	Eng.Displ. 4200 cm3	
017	Cylinder 8	
018	Nom. power 250 kW	
019	RPM at nom. power 4000 1/min	
020	Nom. torque 800 Nm	
021	RPM at nom. torque 1750 1/min	
022	Classification use case -----	
025	APPLICATION OF THE PRODUCT EU	
027	REAR AXLE RATIO 2.381	
028	DYNAMIC TYRE RADIUS 347 mm	
033	Product description -----	
034	INSTALLATION POS TRANSMISSION LENGTHWISE	
035	DESIGN, CONSTRUCTION STAGE SERIE	
036	OEM AUDI	
037	CODE, CUSTOMER NCL	
038	TYPE NUMBER, CUSTOMER 3N85	
039	Documents -----	



Pos.	Information	Amendment number
040	TRANSMISSION Drawing 1091.630.001	
041	Anlage_Freigabeprotokoll_K4 Graphic 000000347695	
042	Alias ID -----	
043	Audi AG OBL300035K	

Assembly group overview

Material number: 1091.036.004

8 HP 90 A HIS SW /

Page 1 from 2



Graphics	Pos.	Material number	Name	Quantity	Amend. no.	Techn. Info.
	710	1091.034.009	8 HP 90 A HIS	1		
177.01.22-1	118	1091.101.829	GEARBOX HOUSING	1		
177.01.22-1	910	1087.101.915	GEARBOX HOUSING	1		
	170	1091.102.806	INPUT	1		
	300	1091.103.806	OIL SUMP	1		
	228	1091.106.804	GEAR SHIFT SYSTEM	1		
	198	1091.110.807	OIL SUPPLY	1		
	900	1091.110.022	OIL SUPPLY	1		
	320	1091.322.067	CONVERTER	1		
	248	1091.124.823	PARKING LOCK	1		
	920	1087.126.825	MODULE	1		
	920	1087.127.847	CONTROL UNIT	1		
	920	1087.127.900	MECHATRONIC	1		
	278	1087.128.850	MECHATRONIC	1		
	980	1091.131.808	PLANETARY DRIVE	1		
	970	1091.132.807	PLANETARY DRIVE	1		
	400	1091.135.026	FRONT AXLE DIFFERENTIAL	1		
	408	1091.135.806	FRONT AXLE DIFF	1		
	KIT	1084.298.007	TORX SCREW	1		
	930	1091.135.903	FRONT AXLE DIFF	1		
	430	1091.136.001	REAR AXOUTPUT	1		
	438	1084.136.802	REAR AXOUTPUT	1		
	950	1087.136.901	REAR AXOUTPUT	1		
	460	1091.137.015	FRONT AXLE OUTPUT	1		
	468	1091.137.805	FRONT AXOUTPUT	1		
	480	1084.138.014	DISTRIBUTOR	1		
	940	1087.138.900	DISTRIBUTOR	1		
	960	1091.140.806	PLANETARY DRIVE	1		
	900	1091.142.807	PLANETARY DRIVE	1		
	900	1091.142.040	PLANETARY DRIVE	1		
	900	1087.150.026	VALVE HOUSING	1		

Assembly group overview

Material number: 1091.036.004

8 HP 90 A HIS SW /

Page 2 from 2



Graphics	Pos.	Material number	Name	Quantity	Amend. no.	Techn. Info.
	910	1087.151.029	VALVE PLATE	1		
	920	1091.170.809	COUPLING	1		
	950	1091.171.006	COUPLING	1		
	160	1091.172.813	COUPLING	1		
	910	1091.172.810	COUPLING	1		
	910	1091.173.805	COUPLING	1		
	920	1091.173.804	COUPLING	1		
	930	1091.175.808	COUPLING	1		
	940	1091.175.003	COUPLING	1		
	84	1091.192.003	CONSERVATION	1		
	62	1087.197.914	PACKING	1		
	910	6058.008.123	E-MODUL 8-GANG	1		

Parts list

Page 1 from 2

Material number: 1091.036.004

8 HP 90 A HIS SW /

Material-assembly-group-no: 1091.034.009



Pos.	Material number	Customer material	Name	Quantity	ME	Amend. no.	Techn. Info.	Weight	Rep kit	Alternative material
62	1087.197.914		PACKING	1			PRUEFLAUF	0,000		
84	1091.192.003		CONSERVATION	1			KA 0/KI 1*ZFN916* PRUEFST.*9, 924DM3GE*1, 115DM3DI*1, 115DM3HA	0,000		
118	1091.101.829		GEARBOX HOUSING	1			ANBAU	0,000		
160	1091.172.813		COUPLING	1			ANBAU I*B/5	0,000		
170	1091.102.806		INPUT	1			ANBAU* SCHWALBENSCHWAN Z	0,000		
198	1091.110.807		OIL SUPPLY	1			ANBAU *SK804	0,000		
228	1091.106.804		GEAR SHIFT SYSTEM	1			ANBAU*AF *SK802	0,000		
248	1091.124.823		PARKING LOCK	1		Z00012582215	ANBAU	0,000		
278	1087.128.850		MECHATRONIC	1			ANBAU*INT.EGS*HIS	0,000		
300	1091.103.806		OIL SUMP	1			ANBAU*AF	0,000		
320	1091.322.067		CONVERTER	1			289*D138	18,800		
400	1091.135.026		FRONT AXLE DIFFERENTIAL	1			Z6/Z5=31/12	0,000		
408	1091.135.806		FRONT AXLE DIFF	1			ANBAU	0,000		
430	1091.136.001		REAR AXOUTPUT	1			*SK002	0,000		
438	1084.136.802		REAR AXOUTPUT	1			ANBAU	0,000		
460	1091.137.015		FRONT AXLE OUTPUT	1			Z2/Z1=29/25*Z3=29	15,200		
468	1091.137.805		FRONT AXOUTPUT	1			Z4/Z3=31/29 *SK804	0,000		
480	1084.138.014		DISTRIBUTOR	1			AAM MITTENDIFF	0,000		
900	1087.150.026		VALVE HOUSING	1			E*E26/6*SPT4.2*GD* WFS	0,000		
900	1091.110.022		OIL SUPPLY	1				0,000		
900	1091.142.040		PLANETARY DRIVE	1			RS4/4PL.	0,000		
900	1091.142.807		PLANETARY DRIVE	1			ANBAU*RS4	0,000		
910	1087.101.915		GEARBOX HOUSING	1			PRUEFLAUF	0,000		

Parts list

Page 2 from 2

Material number: 1091.036.004

8 HP 90 A HIS SW /

Material-assembly-group-no: 1091.034.009



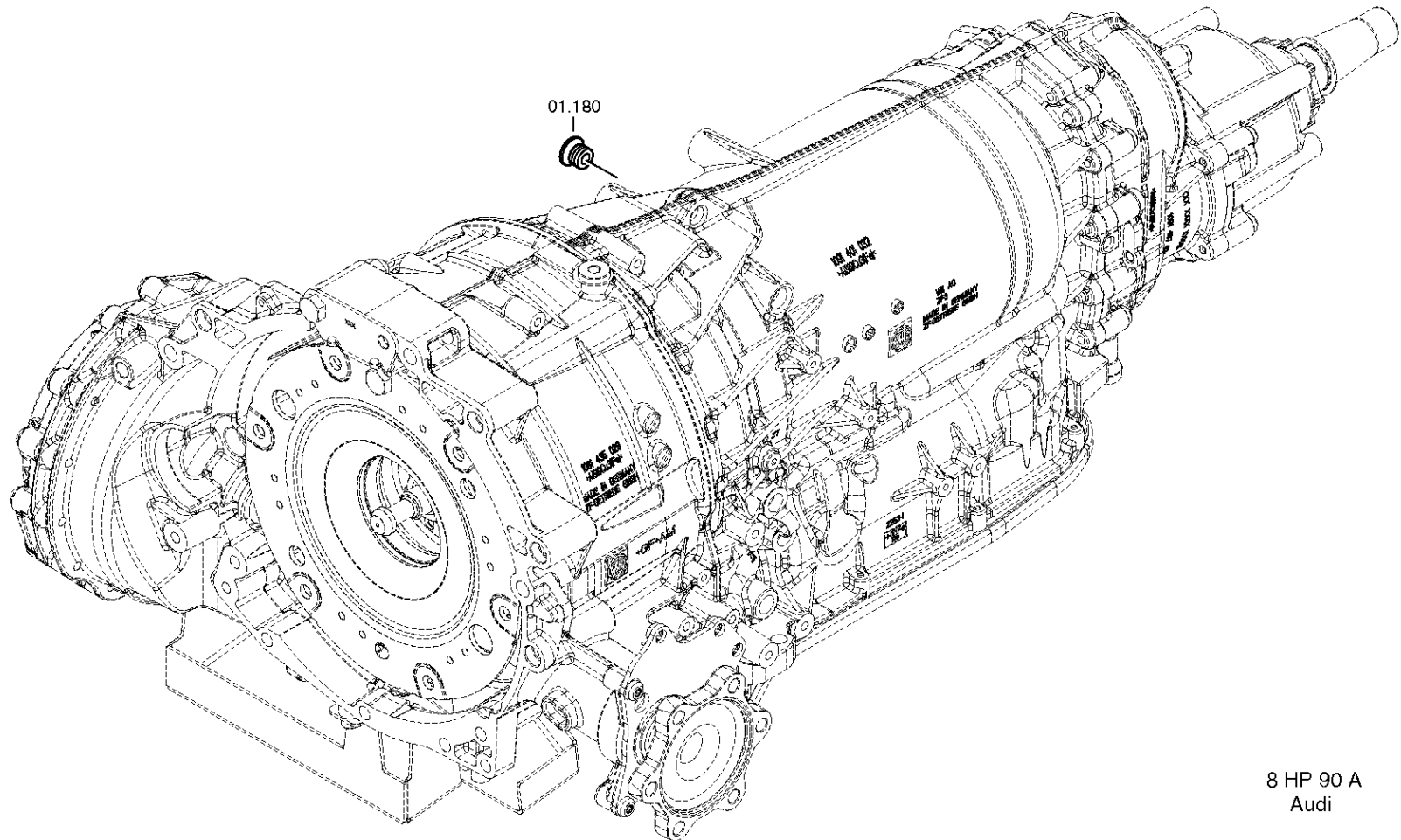
Pos.	Material number	Customer material	Name	Quantity	ME	Amend. no.	Techn. Info.	Weight	Rep kit	Alternative material
910	1087.151.029		VALVE PLATE	1			E*MECH-S1*GD	0,000		
910	1091.172.810		COUPLING	1			ANBAU II*B	0,000		
910	1091.173.805		COUPLING	1			ANBAU I*D/5 *SK803	0,000		
910	6058.008.123		E-MODUL 8-GANG	1			REN90*LTCC GR. *SK061	0,000		
920	1087.126.825		MODULE	1			ANBAU*INT EGS*HIS	0,000		
920	1087.127.847		CONTROL UNIT	1			ANBAU	0,000		
920	1087.127.900		MECHATRONIC	1			PRUEFLAUF	0,000		
920	1091.170.809		COUPLING	1			ANBAU*A/6	0,000		
920	1091.173.804		COUPLING	1			ANBAU D*II *SK801	0,000		
930	1091.135.903		FRONT AXLE DIFF	1			PRUEFLAUF	0,000		
930	1091.175.808		COUPLING	1			ANBAU*C	0,000		
940	1087.138.900		DISTRIBUTOR	1			PRUEFLAUF*AF	0,000		
940	1091.175.003		COUPLING	1			C/7 *SK002 O. WINKELSCH.	0,000		
950	1087.136.901		REAR AXOUTPUT	1			PRUEFLAUF*MIT SCHUTZKAPPE*SK900	0,000		
950	1091.171.006		COUPLING	1			E/7*SK004	0,000		
960	1091.140.806		PLANETARY DRIVE	1			ANBAU*RS3/4PL*OPT. V1	0,000		
970	1091.132.807		PLANETARY DRIVE	1			ANBAU*RS2/4PL*V2	0,000		
980	1091.131.808		PLANETARY DRIVE	1			ANBAU*RS1/5PL*OPT. V2	0,000		

Plant

Page 1 from 1

Material number: 1091.036.004
Plant: 177.01.22-1
GEARBOX HOUSING

8 HP 90 A HIS SW /
GEARBOX HOUSING



8 HP 90 A
Audi

Parts list

Page 1 from 1

Material number: 1091.036.004

8 HP 90 A HIS SW /

Plant: 177.01.22-1

Material-assembly-group-no: 1091.101.829



Pos.	Material number	Customer material	Name	Quantity	ME	Amend. no.	Techn. Info.	Weight	Rep kit	Alternative material
100	0501.323.767		SCREW PLUG	1			M10 X 1	0,003		
140	---		PLUG	1			D=17,10	0,000		
---	0501.322.074		PLUG	1				0,003		
180	0501.324.981		SCREW PLUG	1				0,020		
840	0666.692.055		CODE LABEL	1				0,001		

Parts list

Page 1 from 1

Material number: 1091.036.004

8 HP 90 A HIS SW /

Material-assembly-group-no: 1091.102.806



Pos.	Material number	Customer material	Name	Quantity	ME	Amend. no.	Techn. Info.	Weight	Rep kit	Alternative material
50	0735.368.318		AXIAL NEEDLE BEARING	1			50,8x81,0x4,0	0,041		
70	1087.231.187		RING GEAR	1		Z00006007710		2,304		
80	0501.327.284		ANGLE DISC	1				0,030		
170	0734.313.897		ROUND SEALING RING	1			23,52X1,78	0,003		

Parts list

Page 1 from 1

Material number: 1091.036.004

8 HP 90 A HIS SW /

Material-assembly-group-no: 1091.103.806



Pos.	Material number	Customer material	Name	Quantity	ME	Amend. no.	Techn. Info.	Weight	Rep kit	Alternative material
10	0501.201.918		OIL SUMP	1				0,768		
/15	0501.324.025		SCREW PLUG	1			M10X1	0,013		
30	0736.300.500		TORX SCREW	12			M6X19,5	0,002		
50	0501.325.110		GASKET	1				0,058		
200	0501.217.777		OIL FILTER	1			KPL.	0,445		
/20	0501.323.928		O-RING	1				0,002		
/30	0501.324.617		MAGNET	2				0,000		

Parts list

Page 1 from 1

Material number: 1091.036.004

8 HP 90 A HIS SW /

Material-assembly-group-no: 1091.106.804



Pos.	Material number	Customer material	Name	Quantity	ME	Amend. no.	Techn. Info.	Weight	Rep kit	Alternative material
10	0734.319.801		SHAFT SEAL	1			10X18X5	0,002		
30	1087.206.069		SELECTOR SHAFT	1				0,104		
50	1087.206.028		PARKING LOCK DISC	1				0,107		
60	0501.324.683		CLAMPING SLEEVE	1				0,003		
90	1087.306.055		LEG SPRING	1				0,021		

Parts list

Page 1 from 1

Material number: 1091.036.004

8 HP 90 A HIS SW /

Material-assembly-group-no: 1091.110.807



Pos.	Material number	Customer material	Name	Quantity	ME	Amend. no.	Techn. Info.	Weight	Rep kit	Alternative material
10	1091.210.038		INTERMPLATE	1		Z00005936910		4,075		
20	0735.298.399		NEEDLE SLEEVE	1			W-KAEFIG 33,0X39, 0x21,0	0,029		
30	0730.514.096		SNAP RING	1				0,004		
40	0501.218.885		PUMP	1				0,000		
60	0501.329.172		CHAIN	1				0,071		
80	1087.210.266		SPROCKET WHEEL	1			KPL. VERB. TOLERANZ	0,000		
/110	---		SPROCKET WHEEL	1			WTB	0,000		
/120	0501.326.875		UNDULATSPRING	1				0,700		
/130	0501.323.708		PISTON RING	1				0,007		
/140	0501.326.909		ANGLE DISC	1				0,010		
100	1091.210.018		CENTERING PLATE	1		Z00005936910	KPL. *SK009	0,000		
110	0736.101.578		TORX SCREW	7		Z00005936910	M10X27	0,008		
120	---		TORX SCREW	1		Z00005936910	M6X33	0,000		
---	0736.300.018		HEXALOBULAR DRIVING SCREW	1			M6x33	0,004		
210	0501.324.911		SHIM	1			T=2,6	0,033		
220	0736.300.072		TORX SCREW	7			M10X70	0,019		
230	0736.300.069		TORX SCREW	7			M8X70	0,012		

Parts list

Page 1 from 1

Material number: 1091.036.004

8 HP 90 A HIS SW /

Material-assembly-group-no: 1091.322.067



Pos.	Material number	Customer material	Name	Quantity	ME	Amend. no.	Techn. Info.	Weight	Rep kit	Alternative material
	1091.322.067		CONVERTER	1			289*D138	18,800		

Parts list

Page 1 from 1

Material number: 1091.036.004

8 HP 90 A HIS SW /

Material-assembly-group-no: 1091.124.823



Pos.	Material number	Customer material	Name	Quantity	ME	Amend. no.	Techn. Info.	Weight	Rep kit	Alternative material
10	1091.324.001		PIN	1				0,062		
30	0734.313.144		ROUND SEALING RING	1			ENTHALT.IN 0734 313 005(1)	0,001		
40	1087.324.074		PAWL	1				0,243		
60	1087.324.053		LEG SPRING	1				0,005		
80	1091.224.025		CONNECTING BAR	1				0,090		
110	1087.324.139		GUIDING PLATE	1				0,083		
120	1087.324.045		HEXALOBULAR DRIVING SCREW	3			M6X20*PRECOTE 85-3	0,007		

Parts list

Page 1 from 1

Material number: 1091.036.004

8 HP 90 A HIS SW /

Material-assembly-group-no: 1087.126.825



Pos.	Material number	Customer material	Name	Quantity	ME	Amend. no.	Techn. Info.	Weight	Rep kit	Alternative material
30	0736.101.354		TORX SCREW	5			M5X60 IN 0736 101 351(1)	0,010		
110	1087.227.028		WIRING HARNESS	1			8HP E-SCHALT PZYL HIS OHNE SCHLAUCH	0,051		
/100	6029.201.996		PLUG	1			8POL BU MLK KOSTAL 8HP	0,000		
/200	6029.207.902		PLUG	1			2POL ST MPQ 2.8 0,5/0,5	0,027		
/201	0659.120.090		LINE	480				0,000		
/202	0659.120.086		LINE	480				0,000		
/300	6029.201.997		PLUG	1			2POL BU SLK 2,8 GF30	0,000		
/301	0659.120.119		LINE	375				0,000		
/302	0659.120.196		LINE	375				0,000		
/6003	0659.145.056		INSULATING HOSE	190			4,5X0,5	0,000		
/9201	0501.324.947		BOTTOM	1			KABELKANAL	0,000		
/9202	0501.324.946		COVER	1			KABELKANAL	0,000		
170	0501.325.650		WIRING HARNESS	1				0,160		

Parts list

Page 1 from 1

Material number: 1091.036.004

8 HP 90 A HIS SW /

Material-assembly-group-no: 1087.127.847



Pos.	Material number	Customer material	Name	Quantity	ME	Amend. no.	Techn. Info.	Weight	Rep kit	Alternative material
690	1068.227.022		VALVE	4				0,008		
710	1068.227.061		VALVE	1			KPL. IN 1060 227 018(2)	0,001		
730	1087.327.041		PISTON	1			SDB V	0,001		
740	0732.040.105		COMPRSPRING	1				0,008		
760	0501.216.254		SCREEN FILTER	1				0,001		
770	1068.327.098		BALL	6				0,149		
780	0501.311.653		SCREEN	1				0,002		
790	1068.327.143		SPHERICAL PIECE	1				0,001		
800	1068.227.039		PISTON	7				0,010		
820	1087.227.013		SUCTION CONNECTOR	1			KPL. AF *8HP* OELVERSORGUNG	0,020		
830	0501.227.048		INTERMEDIATE SHEET	1			E*E26/1/6*MECH-S1	0,271		
/10	1087.327.175		INTERMEDIATE SHEET	1			E*E26/1/6*MECH-S1	0,269		
/20	0501.324.233		GASKET	1			SIEBDRUCK	0,000		
840	0736.101.352		TORX SCREW	20				0,008		
850	1068.327.144		CAP	1				0,005		

Parts list

Page 1 from 1

Material number: 1091.036.004

8 HP 90 A HIS SW /

Material-assembly-group-no: 1087.128.850



Pos.	Material number	Customer material	Name	Quantity	ME	Amend. no.	Techn. Info.	Weight	Rep kit	Alternative material
450	0736.101.348		TORX SCREW	15				0,015		
570	0736.101.375		TORX SCREW	5				0,002		
580	0736.101.375		TORX SCREW	1				0,002		
640	1087.227.006		PRESSURE TUBE	1			KPL.AF	0,015		
670	0501.216.119		GUIDE SLEEVE	1			8HPXY AF GETRIEBESTECKER	0,022		
680	1091.227.002		OILVOLUME ACCU	1				1,630		

Parts list

Page 1 from 1

Material number: 1091.036.004

8 HP 90 A HIS SW /

Material-assembly-group-no: 1091.131.808



Pos.	Material number	Customer material	Name	Quantity	ME	Amend. no.	Techn. Info.	Weight	Rep kit	Alternative material
10	1091.231.067		PLANETARY DRIVE	1			KPL.RS1/5PL	0,000		
20	1087.331.027		SNAP RING	1				0,052		

Parts list

Page 1 from 1

Material number: 1091.036.004

8 HP 90 A HIS SW /

Material-assembly-group-no: 1091.132.807



Pos.	Material number	Customer material	Name	Quantity	ME	Amend. no.	Techn. Info.	Weight	Rep kit	Alternative material
10	1091.232.040		PLANETARY DRIVE	1			KPL.RS2/4PL*OPT.V1* OPT.MAGNETR.	0,000		
20	1087.331.041		OIL TRAY	1				0,010		
30	1091.232.036		INPUT SHAFT	1		Z00007011012	KPL.	0,000		
/110	1091.332.021		INPUT SHAFT	1				2,556		
/120	1087.332.037		SEALING SLEEVE	1			3L WANDLER	0,019		
/130	0501.327.169		PLUG	1			VERLÄNGERT	2,510		
/140	0501.327.169		PLUG	1			VERLÄNGERT	2,510		
50	1087.332.048		SNAP RING	1				0,009		
60	0501.325.138		ANGLE DISC	1				0,024		
80	0501.327.948		PISTON RING	5			31,4X2	0,001		
90	0501.327.948		PISTON RING	2			31,4X2	0,001		
120	1087.332.095		SUN GEAR	1		Z00011123710	RS1*RS2	0,853		

Parts list

Page 1 from 7

Material number: 1091.036.004

8 HP 90 A HIS SW /

Material-assembly-group-no: 1091.135.026



Pos.	Material number	Customer material	Name	Quantity	ME	Amend. no.	Techn. Info.	Weight	Rep kit	Alternative material
10	1091.335.029		CONVERTER BELL	1				10,235		
20	0734.319.837		SHAFT SEAL	1			33X47X8 FA.PAULSTRA	0,009		
30	1071.301.041		BRACKET	1			6HP19A/FL	0,005		
40	1043.301.036		MAGNET	1				0,007		
50	0736.101.241		TORX SCREW	1				0,005		
60	1091.235.038		BEVEL GEAR SET	1				0,000		
/120	0501.330.082		TAROLLBEARING	1				0,000		
/130	0501.325.613		TAROLLBEARING	1				0,250		
70	0735.300.636		COMBI BEARING	1			41.2X93.0X82.0 41,2X93, 0X82,0	2,280		
80	0501.327.610		HEXAGON NUT	1			M40X1,5LH	0,120		
90	---		SHIM	1			S= 0,900- 1,925(ABSTUFUNG:0,025MM)	0,000		
---	0730.112.670		SHIM	1			A=1,925 IN 0730 106 427(2)	0,000		
---	0730.106.450		SHIM	1			A=1,90 IN 0730 106 427(2)	0,000		
---	0730.112.671		SHIM	1			A=1,875 IN 0730 106 427(2)	0,000		
---	0730.106.449		SHIM	1			A=1,85 IN 0730 106 427(2)	0,000		
---	0730.112.672		SHIM	1			A=1,825 IN 0730 106 427(2)	0,000		
---	0730.106.448		SHIM	1			A=1,80 IN 0730 106 427(2)	0,020		
---	0730.112.673		SHIM	1			A=1,775 IN 0730 106 427(2)	0,020		
---	0730.106.447		SHIM	1			A=1,75 IN 0730 106 427(2)	0,019		
---	0730.112.674		SHIM	1			A=1,725 IN 0730 106 427(2)	0,020		

Parts list

Page 2 from 7

Material number: 1091.036.004

8 HP 90 A HIS SW /

Material-assembly-group-no: 1091.135.026



Pos.	Material number	Customer material	Name	Quantity	ME	Amend. no.	Techn. Info.	Weight	Rep kit	Alternative material
---	0730.106.446		SHIM	1			A=1,70 IN 0730 106 427(2)	0,018		
---	0730.112.675		SHIM	1			A=1,675 IN 0730 106 427(2)	0,019		
---	0730.106.445		SHIM	1			A=1,65 IN 0730 106 427(2)	0,018		
---	0730.112.676		SHIM	1			A=1,625 IN 0730 106 427(2)	0,018		
---	0730.106.444		SHIM	1			A=1,60 IN 0730 106 427(2)	0,018		
---	0730.112.677		SHIM	1			A=1,575 IN 0730 106 427(2)	0,017		
---	0730.106.443		SHIM	1			A=1,55 IN 0730 106 427(2)	0,016		
---	0730.112.678		SHIM	1			A=1,525 IN 0730 106 427(2)	0,017		
---	0730.106.442		SHIM	1			A=1,50 IN 0730 106 427(2)	0,017		
---	0730.112.679		SHIM	1			A=1,475 IN 0730 106 427(2)	0,016		
---	0730.106.441		SHIM	1			A=1,45 IN 0730 106 427(2)	0,016		
---	0730.112.680		SHIM	1			A=1,425 IN 0730 106 427(2)	0,016		
---	0730.106.440		SHIM	1			A=1,40 IN 0730 106 427(2)	0,014		
---	0730.112.681		SHIM	1			A=1,375 IN 0730 106 427(2)	0,015		
---	0730.106.439		SHIM	1			A=1,35 IN 0730 106 427(2)	0,014		
---	0730.112.682		SHIM	1			A=1,325 IN 0730 106 427(2)	0,015		

Parts list

Page 3 from 7

Material number: 1091.036.004

8 HP 90 A HIS SW /

Material-assembly-group-no: 1091.135.026



Pos.	Material number	Customer material	Name	Quantity	ME	Amend. no.	Techn. Info.	Weight	Rep kit	Alternative material
---	0730.106.438		SHIM	1			A=1,30 IN 0730 106 427(2)	0,014		
---	0730.112.683		SHIM	1			A=1,275 IN 0730 106 427(2)	0,014		
---	0730.106.437		SHIM	1			A=1,25 IN 0730 106 427(2)	0,014		
---	0730.112.684		SHIM	1			A=1,225 IN 0730 106 427(2)	0,014		
---	0730.106.436		SHIM	1			A=1,20 IN 0730 106 427(2)	0,012		
---	0730.112.685		SHIM	1			A=1,175 IN 0730 106 427(2)	0,013		
---	0730.106.435		SHIM	1			A=1,15 IN 0730 106 427(2)	0,012		
---	0730.112.686		SHIM	1			A=1,125 IN 0730 106 427(2)	0,012		
---	0730.106.434		SHIM	1			A=1,10 IN 0730 106 427(2)	0,012		
---	0730.112.687		SHIM	1			A=1,075 IN 0730 106 427(2)	0,012		
---	0730.106.433		SHIM	1			A=1,05 IN 0730 106 427(2)	0,011		
---	0730.112.688		SHIM	1			A=1,025 IN 0730 106 427(2)	0,012		
---	0730.106.432		SHIM	1			A=1,00 IN 0730 106 427(2)	0,011		
---	0730.112.689		SHIM	1			A=0,975 IN 0730 106 427(2)	0,000		
---	0730.106.431		SHIM	1			A=0,95 IN 0730 106 427(2)	0,010		
---	0730.112.690		SHIM	1			A=0,925 IN 0730 106 427(2)	0,000		

Parts list

Page 4 from 7

Material number: 1091.036.004

8 HP 90 A HIS SW /

Material-assembly-group-no: 1091.135.026



Pos.	Material number	Customer material	Name	Quantity	ME	Amend. no.	Techn. Info.	Weight	Rep kit	Alternative material
---	0730.106.430		SHIM	1			A=0,90 IN 0730 106 427(2)	0,000		
110	1091.335.006		RETAINING RING	1				0,049		
120	0501.323.908		COVER	1				0,167		
130	---		WASHER	1			S= 1,12- 1,85(ABSTUFUNG:0,02MM)	0,000		
---	0730.009.544		SHIM	1			A=1,125	0,009		
---	0730.009.545		SHIM	1			A=1,150	0,009		
---	0730.009.546		SHIM	1			A=1,175	0,009		
---	0730.009.547		SHIM	1			A=1,200	0,009		
---	0730.009.708		SHIM	1			A=1,225	0,009		
---	0730.009.548		SHIM	1			A=1,250	0,008		
---	0730.009.549		SHIM	1			A=1,275	0,009		
---	0730.009.550		SHIM	1			A=1,300	0,010		
---	0730.009.551		SHIM	1			A=1,325	0,009		
---	0730.009.552		SHIM	1			A=1,350	0,010		
---	0730.009.709		SHIM	1			A=1,375	0,010		
---	0730.009.553		SHIM	1			A=1,400	0,010		
---	0730.009.554		SHIM	1			A=1,425	0,010		
---	0730.009.555		SHIM	1			A=1,450	0,009		
---	0730.009.556		SHIM	1			A=1,475	0,011		
---	0730.009.557		SHIM	1			A=1,500	0,011		
---	0730.009.710		SHIM	1			A=1,525	0,011		
---	0730.009.558		SHIM	1			A=1,550	0,011		
---	0730.009.559		SHIM	1			A=1,575	0,012		
---	0730.009.560		SHIM	1			A=1,600	0,012		
---	0730.009.561		SHIM	1			A=1,625	0,012		
---	0730.009.562		SHIM	1			A=1,650	0,012		
---	0730.009.711		SHIM	1			A=1,675	0,013		
---	0730.009.563		SHIM	1			A=1,700	0,013		
---	0730.009.564		SHIM	1			A=1,725	0,013		

Parts list

Page 5 from 7

Material number: 1091.036.004

8 HP 90 A HIS SW /

Material-assembly-group-no: 1091.135.026



Pos.	Material number	Customer material	Name	Quantity	ME	Amend. no.	Techn. Info.	Weight	Rep kit	Alternative material
---	0730.009.565		SHIM	1			A=1,750	0,000		
---	0730.009.566		SHIM	1			A=1,775	0,000		
---	0730.009.567		SHIM	1			A=1,800	0,013		
---	0730.009.712		SHIM	1			A=1,825	0,000		
---	0730.009.568		SHIM	1			A=1,850	0,000		
140	---		SHIM	1			S=1,00- 1,90(ABSTUFUNG:0,025MM)	0,484		
---	0730.005.980		SHIM	1			A=1,900	0,016		
---	0730.009.674		SHIM	1			A=1,875	0,016		
---	0730.005.979		SHIM	1			A=1,850	0,016		
---	0730.009.673		SHIM	1			A=1,825	0,013		
---	0730.005.978		SHIM	1			A=1,800	0,016		
---	0730.009.672		SHIM	1			A=1,775	0,015		
---	0730.005.977		SHIM	1			A=1,750	0,014		
---	0730.009.671		SHIM	1			A=1,725	0,014		
---	0730.005.976		SHIM	1			A=1,700	0,001		
---	0730.009.670		SHIM	1			A=1,675	0,014		
---	0730.005.975		SHIM	1			A=1,650	0,014		
---	0730.009.669		SHIM	1			A=1,625	0,013		
---	0730.005.974		SHIM	1			A=1,600	0,014		
---	0730.009.668		SHIM	1			A=1,575	0,013		
---	0730.005.973		SHIM	1			A=1,550	0,013		
---	0730.009.667		SHIM	1			A=1,525	0,013		
---	0730.005.972		SHIM	1			A=1,500	0,012		
---	0730.009.666		SHIM	1			A=1,475	0,012		
---	0730.005.971		SHIM	1			A=1,450	0,012		
---	0730.009.665		SHIM	1			A=1,425	0,012		
---	0730.005.970		SHIM	1			A=1,400	0,012		
---	0730.009.664		SHIM	1			A=1,375	0,011		
---	0730.005.969		SHIM	1			A=1,350	0,012		
---	0730.009.663		SHIM	1			A=1,325	0,011		

Parts list

Page 6 from 7

Material number: 1091.036.004

8 HP 90 A HIS SW /

Material-assembly-group-no: 1091.135.026



Pos.	Material number	Customer material	Name	Quantity	ME	Amend. no.	Techn. Info.	Weight	Rep kit	Alternative material
---	0730.005.968		SHIM	1			A=1,300	0,010		
---	0730.009.662		SHIM	1			A=1,275	0,011		
---	0730.005.967		SHIM	1			A=1,250	0,010		
---	0730.009.661		SHIM	1			A=1,225	0,010		
---	0730.005.966		SHIM	1			A=1,200	0,010		
---	0730.009.660		SHIM	1			A=1,175	0,010		
---	0730.005.965		SHIM	1			A=1,150	0,010		
---	0730.009.659		SHIM	1			A=1,125	0,009		
---	0730.005.964		SHIM	1			A=1,100	0,009		
---	0730.009.658		SHIM	1			A=1,075	0,009		
---	0730.005.963		SHIM	1			A=1,050	0,008		
---	0730.009.657		SHIM	1			A=1,025	0,008		
---	0730.005.962		SHIM	1			A=1,000	0,008		
150	1091.235.022		COVER	1			KPL. *SK015	0,000		
/120	0734.310.430		SHAFT SEAL	1			40X55X7 FA.CFW	0,013		
160	0734.313.155		ROUND SEALING RING	1				0,009		
170	0736.300.019		HEXALOBULAR DRIVING SCREW	2			M10X47 M10X47	0,037		
174	0736.617.091		TORX SCREW	12			M8X39	0,018		
180	0730.513.928		SNAP RING	1				0,003		
190	1091.335.018		OUTPUT FLANGE	1				1,204		
200	1091.235.017		FLANGE SHAFT	1				0,000		
/110	1091.335.017		FLANGE SHAFT	1				3,128		
/120	1084.235.011		COVER				KPL.	0,284		1084.298.001
/120	1084.298.001		COVER	1			MIT ALUSCHR.* 6HP28AF*8HP55/90A* AUDI	0,310		
/130	0735.330.670		BALL BEARING	1			35,0X62,0X22,0 FA.FAG	0,223		
/140	0501.330.125		CURVED RING	1				0,000		
/150	0501.308.523		COMPRSPRING	1				0,015		
/160	0501.308.528		TAPPET	1				0,016		

Parts list

Page 7 from 7

Material number: 1091.036.004

8 HP 90 A HIS SW /

Material-assembly-group-no: 1091.135.026



Pos.	Material number	Customer material	Name	Quantity	ME	Amend. no.	Techn. Info.	Weight	Rep kit	Alternative material
220	1091.335.004		PROTECTING TUBE	1				0,392		
230	0501.322.806		SEALING RING	1				0,010		
234	0501.325.126		GASKET	1				0,031		
240	0736.300.056		TORX SCREW				M8X22	0,005		1084.298.007
250	0736.101.578		TORX SCREW	1			M10X27	0,008		
270	0501.323.767		SCREW PLUG	1			M10 X 1	0,003		
280	0734.319.811		SHAFT SEAL	1			53X71X7	0,018		
310	0501.319.430		SEALING RING	2				0,001		
320	1091.235.006		PIPE	1			KPL.BYPASSROHR	0,268		
330	0736.300.502		TORX SCREW	3			M6X21 M6X21	0,007		
400	0501.323.769		SCREW PLUG	2			M18 X 1,5	0,012		
410	1091.301.035		TYPE PLATE	1				0,004		
414	0501.325.973		RIVET	1				0,001		
450	0666.692.050		CODE LABEL	1				0,001		
240	1084.298.007		TORX SCREW	1			ALU FUER W.- GLOCKENBEFESTIGU NG*6HP28AF*AUDI*	0,000		

Parts list

Page 1 from 1

Material number: 1091.036.004

8 HP 90 A HIS SW /

Material-assembly-group-no: 1084.298.007



Pos.	Material number	Customer material	Name	Quantity	ME	Amend. no.	Techn. Info.	Weight	Rep kit	Alternative material
10	0736.300.056		TORX SCREW				M8X22	0,005		1084.298.007

Parts list

Page 1 from 1

Material number: 1091.036.004

8 HP 90 A HIS SW /

Material-assembly-group-no: 1091.136.001



Pos.	Material number	Customer material	Name	Quantity	ME	Amend. no.	Techn. Info.	Weight	Rep kit	Alternative material
10	1084.336.007		DISTRHOUSING	1				1,338		
20	0734.319.763		SHAFT SEAL	1				0,011		
30	0735.330.845		BALL BEARING	1			35,0X62,0X14,0 FA.NTN	0,152		
40	1091.336.003		STUB SHAFT	1				1,193		
50	0730.300.521		RETAINING RING	1			35X1,5	0,002		
60	0730.300.522		RETAINING RING	1			62X2	0,012		
70	0734.313.083		ROUND SEALING RING	1			ENTHALT.IN 0734 313 005(1)	0,004		
70	1087.336.002		SPLASH RING	1				0,005		
120	0501.323.769		SCREW PLUG	1			M18 X 1,5	0,012		
140	0501.325.848		PROTECTING CAP	1				0,010		

Parts list

Page 1 from 4

Material number: 1091.036.004

8 HP 90 A HIS SW /

Material-assembly-group-no: 1091.137.015



Pos.	Material number	Customer material	Name	Quantity	ME	Amend. no.	Techn. Info.	Weight	Rep kit	Alternative material
10	1091.237.054		SIDE SHAFT	1		Z00008246810	KPL.Z31	0,000		
20	0736.617.093		TORX SCREW	2			M8X29	0,019		
30	1084.337.005		OIL FEED	1				0,011		
40	1091.237.053		FRONT AXLE SHAFT	1			KPL.Z29	0,000		
50	---		SHIM	1			S= 1,00- 2,00(ABSTUFUNG:0,05MM)	0,000		
---	0730.008.706		SHIM	1				15		
---	0730.009.864		SHIM	1				0,020		
---	0730.008.084		SHIM	1				0,010		
---	0730.008.083		SHIM	1				0,020		
---	0730.008.082		SHIM	1				0,010		
---	0730.008.081		SHIM	1				0,020		
---	0730.008.080		SHIM	1				0,010		
---	0730.008.079		SHIM	1				0,010		
---	0730.008.078		SHIM	1				0,010		
---	0730.008.077		SHIM	1				0,010		
---	0730.008.076		SHIM	1				0,010		
---	0730.008.075		SHIM	1			A=1,45 IN 0730 009 726(1)	0,010		
---	0730.008.074		SHIM	1			A=1,40 IN 0730 009 726(1)	0,009		
---	0730.008.073		SHIM	1			A=1,35 IN 0730 009 726(1)	0,009		
---	0730.008.072		SHIM	1			A=1,30 IN 0730 009 726(1)	0,008		
---	0730.008.071		SHIM	1			A=1,25 IN 0730 009 726(1)	0,008		
---	0730.008.070		SHIM	1			A=1,20 IN 0730 009 726(1)	0,008		
---	0730.008.069		SHIM	1			A=1,15 IN 0730 009 726(1)	0,008		

Parts list

Page 2 from 4

Material number: 1091.036.004

8 HP 90 A HIS SW /

Material-assembly-group-no: 1091.137.015



Pos.	Material number	Customer material	Name	Quantity	ME	Amend. no.	Techn. Info.	Weight	Rep kit	Alternative material
---	0730.008.068		SHIM	1			A=1,10 IN 0730 009 726(1)	0,007		
---	0730.007.599		SHIM	1			A=1,05 IN 0730 009 726(1)	0,007		
---	0730.007.598		SHIM	1			A=1,00 IN 0730 009 726(1)	0,007		
70	1091.237.055		INTERMHOUSING	1				0,000		
100	1091.237.011		PUMP	1			KPL.VENTIL *SK006	0,000		
120	1091.237.047		INPUT GEAR	1			KPL.Z29*SK046	0,000		
140	1091.237.048		OUTPUT GEAR	1			KPL.Z=25	0,000		
200	0736.101.569		TORX SCREW	4			M6X25	0,003		
220	---		SHIM	1			S= 1,00- 2,25(ABSTUFUNG:0,05MM)	0,003		
---	0730.300.306		SHIM	1			A=1,00	0,003		
---	0730.300.307		SHIM	1			A=1,05	0,003		
---	0730.300.308		SHIM	1			A=1,10	0,004		
---	0730.300.309		SHIM	1			A=1,15	0,004		
---	0730.300.310		SHIM	1			A=1,20	0,004		
---	0730.300.311		SHIM	1			A=2,25	0,004		
---	0730.300.312		SHIM	1			A=1,30	0,004		
---	0730.300.313		SHIM	1			A=1,35	0,005		
---	0730.300.314		SHIM	1			A=1,40	0,005		
---	0730.300.315		SHIM	1			A=1,45	0,005		
---	0730.300.316		SHIM	1			A=1,50	0,005		
---	0730.300.317		SHIM	1			A=1,55	0,005		
---	0730.300.318		SHIM	1			A=1,60	0,005		
---	0730.300.319		SHIM	1			A=1,65	0,006		
---	0730.300.320		SHIM	1			A=1,70	0,006		
---	0730.300.321		SHIM	1			A=1,75	0,006		
---	0730.300.322		SHIM	1			A=1,80	0,006		
---	0730.300.323		SHIM	1			A=1,85	0,006		

Parts list

Page 3 from 4

Material number: 1091.036.004

8 HP 90 A HIS SW /

Material-assembly-group-no: 1091.137.015



Pos.	Material number	Customer material	Name	Quantity	ME	Amend. no.	Techn. Info.	Weight	Rep kit	Alternative material
---	0730.300.324		SHIM	1			A=1,90	0,007		
---	0730.300.325		SHIM	1			A=1,95	0,007		
---	0730.300.326		SHIM	1			A=2,00	0,007		
---	0730.300.327		SHIM	1			A=2,05	0,007		
---	0730.300.328		SHIM	1			A=2,10	0,007		
---	0730.300.329		SHIM	1			A=2,15	0,007		
---	0730.300.330		SHIM	1			A=2,20	0,008		
---	0730.300.331		SHIM	1			A=2,25	0,008		
240	---		SHIM	1			S= 1,00- 1,80(ABSTUFUNG:0,05MM)	0,000		
---	0730.007.593		SHIM	1			A=1,80 IN 0730 007 576(0)	0,011		
---	0730.007.592		SHIM	1			A=1,75 IN 0730 007 576(0)	0,010		
---	0730.007.591		SHIM	1			A=1,70 IN 0730 007 576(0)	0,010		
---	0730.007.590		SHIM	1			A=1,65 IN 0730 007 576(0)	0,010		
---	0730.007.589		SHIM	1			A=1,60 IN 0730 007 576(0)	0,009		
---	0730.007.588		SHIM	1			A=1,55 IN 0730 007 576(0)	0,009		
---	0730.007.587		SHIM	1			A=1,50 IN 0730 007 576(0)	0,009		
---	0730.007.586		SHIM	1			A=1,45 IN 0730 007 576(0)	0,008		
---	0730.007.585		SHIM	1			A=1,40 IN 0730 007 576(0)	0,008		
---	0730.007.584		SHIM	1			A=1,35 IN 0730 007 576(0)	0,008		
---	0730.007.583		SHIM	1			A=1,30 IN 0730 007 576(0)	0,008		

Parts list

Page 4 from 4

Material number: 1091.036.004

8 HP 90 A HIS SW /

Material-assembly-group-no: 1091.137.015



Pos.	Material number	Customer material	Name	Quantity	ME	Amend. no.	Techn. Info.	Weight	Rep kit	Alternative material
---	0730.007.582		SHIM	1			A=1,25 IN 0730 007 576(0)	0,007		
---	0730.007.581		SHIM	1			A=1,20 IN 0730 007 576(0)	0,007		
---	0730.007.580		SHIM	1			A=1,15 IN 0730 007 576(0)	0,007		
---	0730.007.579		SHIM	1			A=1,10 IN 0730 007 576(0)	0,006		
---	0730.007.578		SHIM	1			A=1,05 IN 0730 007 576(0)	0,006		
---	0730.007.577		SHIM	1			A=1,00 IN 0730 007 576(0)	0,006		
250	0501.216.757		CUP SPRING	1				0,007		
266	0736.010.821		HEXALOBULAR DRIVING SCREW	1			M8X18	0,021		
270	1043.301.036		MAGNET	1				0,007		
280	0501.325.508		GASKET	1				0,025		
300	0736.101.527		TORX SCREW	9			M8X40 IN 0736 101 524(2)	0,007		
320	0736.300.019		HEXALOBULAR DRIVING SCREW	7			M10X47 M10X47	0,037		
340	0501.318.970		CLAMPING SLEEVE	2				0,005		

Parts list

Page 1 from 1

Material number: 1091.036.004

8 HP 90 A HIS SW /

Material-assembly-group-no: 1084.138.014



Pos.	Material number	Customer material	Name	Quantity	ME	Amend. no.	Techn. Info.	Weight	Rep kit	Alternative material
170	0501.217.805		DIFFERENTIAL	1				4,007		
180	0735.330.844		BALL BEARING	1			40,0X68,0X9,0 FA.NTN	0,128		
400	0501.322.843		BREATHER TUBE	1				0,005		
410	0501.314.809		BREATHER COVER	1				0,001		

Parts list

Page 1 from 1

Material number: 1091.036.004

8 HP 90 A HIS SW /

Material-assembly-group-no: 1091.140.806



Pos.	Material number	Customer material	Name	Quantity	ME	Amend. no.	Techn. Info.	Weight	Rep kit	Alternative material
10	0735.368.299		AXIAL NEEDLE BEARING	1			57,0X72,7X4,0	0,033		
30	1087.340.011		SNAP RING	1			2X2 GRAD KONISCH	0,030		
50	1087.340.030		RING GEAR	1			RS3	0,658		
70	1087.340.011		SNAP RING	1			2X2 GRAD KONISCH	0,030		
100	1091.240.029		PLANETARY DRIVE	1				0,941		
120	0735.368.299		AXIAL NEEDLE BEARING	1			57,0X72,7X4,0	0,033		
140	1087.340.035		SNAP RING	1				0,052		
160	1091.240.017		SUN GEAR	1			KPL.RS3*OPT.V1	0,000		
170	0735.300.297		AXIAL NEEDLE BEARING	1			57,6X89,1X3,8	0,045		

Parts list

Page 1 from 1

Material number: 1091.036.004

8 HP 90 A HIS SW /

Material-assembly-group-no: 1091.142.807



Pos.	Material number	Customer material	Name	Quantity	ME	Amend. no.	Techn. Info.	Weight	Rep kit	Alternative material
10	1091.242.068		OUTPUT SHAFT	1				3,830		
20	0501.324.816		PLUG	1				0,001		
26	1087.342.073		SEALING CAP	1				0,001		
30	0735.368.316		AXIAL NEEDLE BEARING	1			31,4X48,4X5,0	0,028		
80	0501.326.444		PIN	4				0,140		
90	0501.325.404		NEEDLE CAGE	4				0,065		
100	1087.342.268		PLANET GEAR	4			RS4	0,311		
110	1087.342.159		THRUST WASHER	8				0,010		
160	1087.342.160		SNAP RING	1			A=1,50	0,022		
180	0501.325.661		CYLINDER	1				0,271		
200	1087.342.270		RING GEAR	1			RS4	0,948		
220	1091.342.045		POT	1				0,994		
240	1087.342.052		SNAP RING	1			2X2 GRAD KONISCH	0,039		
270	0734.307.424		PISTON RING	2				0,001		

Parts list

Page 1 from 3

Material number: 1091.036.004

8 HP 90 A HIS SW /

Material-assembly-group-no: 1087.150.026



Pos.	Material number	Customer material	Name	Quantity	ME	Amend. no.	Techn. Info.	Weight	Rep kit	Alternative material
10	1087.327.176		VALVE HOUSING	1				2,240		
30	0501.219.672		PARKING LOCK	1				0,000		
50	1068.327.119		FIXING PLATE	1			MV2	0,004		
70	---		TORX SCREW	1			M5X12	0,000		
---	0736.101.356		TORX SCREW	1			M5X12 IN 0736 101 351(1)	0,004		
80	0732.300.039		COMPRSPRING	1				0,005		
90	1087.327.111		PISTON	1				0,026		
100	1087.327.112		BUSH	1				0,004		
110	1068.327.006		SUPPORT PLATE	1				0,004		
140	1087.327.116		PISTON	1				0,011		
150	0732.041.337		COMPRSPRING	1				0,001		
170	1043.323.105		SUPPORT PLATE	1				0,002		
180	0732.300.054		COMPRSPRING	1				0,001		
200	1087.327.156		PISTON	1				0,012		
210	1068.327.160		PLUG	1			ENTHALT.IN 1068 327 158(2)	0,004		
220	1068.327.021		SPRING CLAMP	1				0,005		
230	1087.327.158		PISTON	1				0,008		
250	1068.327.160		PLUG	1			ENTHALT.IN 1068 327 158(2)	0,004		
270	1068.327.021		SPRING CLAMP	1				0,005		
280	1087.327.130		PISTON	1				0,007		
290	0732.042.853		COMPRSPRING	1			HYDR. SCHALTGERAET	0,003		
320	1043.323.105		SUPPORT PLATE	1				0,002		
326	0732.042.852		COMPRSPRING	1			HYDR. SCHALTGERAET	0,003		
330	1087.327.130		PISTON	1				0,007		
350	1068.327.151		PLUG	1			FUER KLAMMER	0,003		
370	1068.327.152		CLIP	1				0,002		

Parts list

Page 2 from 3

Material number: 1091.036.004

8 HP 90 A HIS SW /

Material-assembly-group-no: 1087.150.026



Pos.	Material number	Customer material	Name	Quantity	ME	Amend. no.	Techn. Info.	Weight	Rep kit	Alternative material
390	1087.327.207		PISTON	1		Z00011705310		0,008		
400	0732.043.511		COMPRSPRING	1		Z00011705310		0,002		
410	1068.327.151		PLUG	1			FUER KLAMMER	0,003		
420	1068.327.152		CLIP	1				0,002		
440	0732.042.853		COMPRSPRING	1			HYDR. SCHALTGERAET	0,003		
450	1087.327.130		PISTON	1				0,007		
460	1068.327.151		PLUG	1			FUER KLAMMER	0,003		
470	1068.327.152		CLIP	1				0,002		
490	1087.327.159		PISTON	1				0,008		
510	1068.327.151		PLUG	1			FUER KLAMMER	0,003		
520	1068.327.152		CLIP	1				0,002		
530	1087.327.159		PISTON	1				0,008		
550	1068.327.151		PLUG	1			FUER KLAMMER	0,003		
560	1068.327.152		CLIP	1				0,002		
590	0732.042.853		COMPRSPRING	1			HYDR. SCHALTGERAET	0,003		
600	1087.327.130		PISTON	1				0,007		
610	1068.327.151		PLUG	1			FUER KLAMMER	0,003		
620	1068.327.152		CLIP	1				0,002		
640	1087.327.157		PISTON	1				0,008		
660	1068.327.151		PLUG	1			FUER KLAMMER	0,003		
670	1068.327.152		CLIP	1				0,002		
690	1087.327.157		PISTON	1				0,008		
710	1068.327.151		PLUG	1			FUER KLAMMER	0,003		
720	1068.327.152		CLIP	1				0,002		
730	0501.325.143		SOLENOID VALVE	1				0,063		
740	0501.218.797		PRESSURE REGULATOR	1				0,088		
750	0501.218.796		PRESSURE REGULATOR	1				0,088		
760	0501.218.797		PRESSURE REGULATOR	1				0,088		
770	0501.218.796		PRESSURE REGULATOR	1				0,088		

Parts list

Page 3 from 3

Material number: 1091.036.004

8 HP 90 A HIS SW /

Material-assembly-group-no: 1087.150.026



Pos.	Material number	Customer material	Name	Quantity	ME	Amend. no.	Techn. Info.	Weight	Rep kit	Alternative material
780	0501.218.796		PRESSURE REGULATOR	1				0,088		
790	0501.218.796		PRESSURE REGULATOR	1				0,088		
800	0501.218.796		PRESSURE REGULATOR	1				0,088		
810	1068.327.146		FIXING PLATE	1				0,040		
820	0736.101.356		TORX SCREW	9			M5X12 IN 0736 101 351(1)	0,004		
830	1068.227.010		CLIP	1			KPL.	0,005		

Parts list

Page 1 from 1

Material number: 1091.036.004

8 HP 90 A HIS SW /

Material-assembly-group-no: 1087.151.029



Pos.	Material number	Customer material	Name	Quantity	ME	Amend. no.	Techn. Info.	Weight	Rep kit	Alternative material
10	1087.327.174		VALVE PLATE	1				2,020		
30	1087.327.043		PISTON	1			WD-V	0,008		
40	0732.041.109		COMPRSPRING	1				0,002		
60	1068.327.160		PLUG	1			ENTHALT.IN 1068 327 158(2)	0,004		
70	1068.327.021		SPRING CLAMP	1				0,005		
140	1085.327.010		PISTON	1			POSITIONS-VENTIL	0,003		
150	1085.327.009		PISTON	1			POSITIONS-VENTIL	0,010		
160	0732.300.050		COMPRSPRING	1				0,002		
170	1043.323.105		SUPPORT PLATE	1				0,002		
190	1087.327.238		PISTON	1		Z00012266810		0,006		
200	0732.300.159		COMPRSPRING	1		Z00012266810		0,002		
220	1043.323.105		SUPPORT PLATE	1				0,002		
240	1087.327.134		PISTON	1				0,006		
250	0732.041.856		COMPRSPRING	1				0,002		
270	1043.323.105		SUPPORT PLATE	1				0,002		
280	1087.327.130		PISTON	1				0,007		
310	0732.042.853		COMPRSPRING	1			HYDR. SCHALTGERAET	0,003		
320	1043.323.105		SUPPORT PLATE	1				0,002		
330	1087.327.130		PISTON	1				0,007		
350	0732.042.853		COMPRSPRING	1			HYDR. SCHALTGERAET	0,003		
360	1043.323.105		SUPPORT PLATE	1				0,002		

Parts list

Page 1 from 1

Material number: 1091.036.004

8 HP 90 A HIS SW /

Material-assembly-group-no: 1091.170.809



Pos.	Material number	Customer material	Name	Quantity	ME	Amend. no.	Techn. Info.	Weight	Rep kit	Alternative material
10	1091.370.009		PISTON	1			A	0,179		
30	0501.324.937		LIP SEALING RING	1			129,9X139,9X3,9X2,5	0,007		
50	0501.323.592		LIP SEALING RING	1				0,454		
70	0501.324.780		CUP SPRING	1				0,112		
80	1087.370.014		SPLIT RING	1			A	0,016		
90	0501.327.470		AXIAL NEEDLE BEARING	1			50,8X67,5X4,0	0,029		
100	0501.323.623		ANGLE DISC	1				0,012		
110	---		SUN GEAR SHAFT	1			8HP90	0,000		
120	0501.324.839		UNDULATSPRING	1				0,032		
130	1087.370.009		OCLUTCH DISC	6			A	0,083		
140	0501.324.212		FRICTION PLATE	6				0,035		
150	1087.370.010		OCLUTCH DISC	1			ENDLAMELLE A	0,138		
160	---		SNAP RING	1			S= 1,80- 3,20(ABSTUFUNG:0,20MM)	0,000		
---	0730.514.137		SNAP RING	1			A=3,20 IN 0730 514 127	0,049		
---	0730.514.136		SNAP RING	1			A=3,00	0,046		
---	0730.514.135		SNAP RING	1			A=2,80	0,043		
---	0730.514.134		SNAP RING	1			A=2,60	0,040		
---	0730.514.133		SNAP RING	1			A=2,40	0,037		
---	0730.514.132		SNAP RING	1			A=2,20	0,034		
---	0730.514.131		SNAP RING	1			A=2,00	0,031		
---	0730.514.130		SNAP RING	1			A=1,80	0,028		
220	0501.327.470		AXIAL NEEDLE BEARING	1			50,8X67,5X4,0	0,029		

Parts list

Page 1 from 1

Material number: 1091.036.004

8 HP 90 A HIS SW /

Material-assembly-group-no: 1091.171.006



Pos.	Material number	Customer material	Name	Quantity	ME	Amend. no.	Techn. Info.	Weight	Rep kit	Alternative material
10	1091.271.007		CYLINDER	1		Z00004825410	KPL.E	0,582		
30	0501.324.843		UNDULATSPRING	1				0,028		
40	1087.375.024		ICLUTCH DISC	7			A=2.1 IN 1087 375 016(1)	0,126		
50	0501.324.268		FRICTION PLATE	7				0,054		
60	---		ICLUTCH DISC	1			S=2,80-4,50 (ABSTUFUNG:0,30MM)	0,000		
---	1087.375.023		ICLUTCH DISC	1			A=4.5 IN 1087 375 016(1)	0,269		
---	1087.375.022		ICLUTCH DISC	1			A=4.2 IN 1087 375 016(1)	0,252		
---	1087.375.021		ICLUTCH DISC	1			A=3.9 IN 1087 375 016(1)	0,234		
---	1087.375.020		ICLUTCH DISC	1			A=3.6 IN 1087 375 016(1)	0,216		
---	1087.375.019		ICLUTCH DISC	1			A=3.3 IN 1087 375 016(1)	0,198		
---	1087.375.018		ICLUTCH DISC	1			A=3.0 IN 1087 375 016(1)	0,180		
---	1091.375.004		ICLUTCH DISC	1			A=2.8 IN 1087 375 016(1)	0,168		
70	0501.326.357		CUP SPRING	1				0,095		
80	0734.313.895		ROUND SEALING RING	1			38,5X2,65	0,001		
90	0734.300.255		ROUND SEALING RING	1			41X1,5	0,001		
100	0501.325.663		PISTON	1				0,695		
110	1091.371.008		SUPPORT SHIM	1			E	0,130		
120	0501.323.394		LIP SEALING RING	1			93X103X3,9X2,5	0,005		
140	1087.371.015		WIRE RING	1				0,008		

Parts list

Page 1 from 1

Material number: 1091.036.004

8 HP 90 A HIS SW /

Material-assembly-group-no: 1091.172.813



Pos.	Material number	Customer material	Name	Quantity	ME	Amend. no.	Techn. Info.	Weight	Rep kit	Alternative material
10	0501.328.099		UNDULATSPRING	1				0,000		
20	1091.372.056		OCLUTCH DISC	5				0,137		
30	0501.329.163		FRICTION PLATE	5				0,000		
40	---		OCLUTCH DISC	1			S= 4,50- 5,70(ABSTUFUNG:0,30MM)	0,000		
---	1091.372.008		OCLUTCH DISC	1			A=5,7	0,433		
---	1091.372.007		OCLUTCH DISC	1			A=5,4	0,410		
---	1091.372.006		OCLUTCH DISC	1			A=5,1	0,388		
---	1091.372.005		OCLUTCH DISC	1			A=4,8	0,365		
---	1091.372.004		OCLUTCH DISC	1			A=4,5 IN 1091 372 002(1)	0,342		
100	1091.372.054		PISTON	1				0,410		
110	0501.323.398		LIP SEALING RING	1				0,009		
120	0501.325.523		PROFILE SEALING RING	1				0,009		
130	0501.324.686		CYLINDER	1				0,199		
140	0734.313.899		ROUND SEALING RING	1			210X2,65 IN 0734 313 005	0,001		

Parts list

Page 1 from 1

Material number: 1091.036.004

8 HP 90 A HIS SW /

Material-assembly-group-no: 1091.173.805



Pos.	Material number	Customer material	Name	Quantity	ME	Amend. no.	Techn. Info.	Weight	Rep kit	Alternative material
30	1087.273.008		PISTON	1			KPL. IN 1087 273 007(2)	0,662		
50	0734.313.221		ROUND SEALING RING	1			62X2,65	0,001		
70	0501.324.778		CUP SPRING	1			D	0,114		
80	1087.373.013		OIL DAM	1			D	0,228		
100	0734.313.007		ROUND SEALING RING	1			ENTHALT.IN 0734 313 005(1)	0,002		
120	0501.324.842		UNDULATSPRING	1				0,035		
140	1091.373.002		OCLUTCH DISC	5			ENTHALT.IN 1087 373 022(1)	0,142		
160	0501.326.037		FRICITION PLATE	5			L=2,12	0,054		
170	1087.373.024		OCLUTCH DISC	1			D ENDLAMELLE GENOPPT	0,177		
180	---		SNAP RING	1			S= 1,60- 2,80(ABSTUFUNG:0,20MM)	0,000		
---	0730.514.107		SNAP RING	1			A=2,80	0,047		
---	0730.514.106		SNAP RING	1			A=2,60	0,044		
---	0730.514.105		SNAP RING	1			A=2,40	0,041		
---	0730.514.104		SNAP RING	1			A=2,20	0,037		
---	0730.514.103		SNAP RING	1			A=2,00	0,034		
---	0730.514.102		SNAP RING	1			A=1,80	0,030		
---	0730.514.101		SNAP RING	1			A=1,60	0,027		
250	1091.373.006		POT	1				0,951		

Parts list

Page 1 from 1

Material number: 1091.036.004

8 HP 90 A HIS SW /

Material-assembly-group-no: 1091.175.808



Pos.	Material number	Customer material	Name	Quantity	ME	Amend. no.	Techn. Info.	Weight	Rep kit	Alternative material
10	1091.375.016		HUB	1				0,380		
20	0734.313.896		ROUND SEALING RING	2			31,5X2 IN 0734 313 005(0)	0,001		
50	1091.375.019		CYLINDER	1				0,538		
60	0501.324.841		UNDULATSPRING	1				0,032		
80	1091.375.004		ICLUTCH DISC	7			A=2.8 IN 1087 375 016(1)	0,168		
100	0501.324.268		FRICTION PLATE	7				0,054		
110	---		ICLUTCH DISC	1			S=2,80-4,50 (ABSTUFUNG:0,30MM)	0,000		
---	1087.375.023		ICLUTCH DISC	1			A=4.5 IN 1087 375 016(1)	0,269		
---	1087.375.022		ICLUTCH DISC	1			A=4.2 IN 1087 375 016(1)	0,252		
---	1087.375.021		ICLUTCH DISC	1			A=3.9 IN 1087 375 016(1)	0,234		
---	1087.375.020		ICLUTCH DISC	1			A=3.6 IN 1087 375 016(1)	0,216		
---	1087.375.019		ICLUTCH DISC	1			A=3.3 IN 1087 375 016(1)	0,198		
---	1087.375.018		ICLUTCH DISC	1			A=3.0 IN 1087 375 016(1)	0,180		
---	1091.375.004		ICLUTCH DISC	1			A=2.8 IN 1087 375 016(1)	0,168		
120	0501.324.781		CUP SPRING	1				0,086		
130	0734.313.895		ROUND SEALING RING	2			38,5X2,65	0,001		
160	0501.325.664		PISTON	1				0,675		
180	1091.375.014		SUPPORT SHIM	1				0,145		
200	0501.323.394		LIP SEALING RING	1			93X103X3,9X2,5	0,005		
220	0730.514.098		SNAP RING	1				0,010		
300	1091.242.058		SUN GEAR SHAFT	1			RS4	1,729		
330	0735.368.316		AXIAL NEEDLE BEARING	1			31,4X48,4X5,0	0,028		
350	0735.368.316		AXIAL NEEDLE BEARING	1			31,4X48,4X5,0	0,028		

Parts list

Page 1 from 1

Material number: 1091.036.004

8 HP 90 A HIS SW /

Material-assembly-group-no: 1091.192.003



Pos.	Material number	Customer material	Name	Quantity	ME	Amend. no.	Techn. Info.	Weight	Rep kit	Alternative material
130	0671.090.162		OIL	2,141				0,000		
140	0671.090.167		OIL	89				0,000		

Parts list

Page 1 from 1

Material number: 1091.036.004

8 HP 90 A HIS SW /

Material-assembly-group-no: 1087.197.914



Pos.	Material number	Customer material	Name	Quantity	ME	Amend. no.	Techn. Info.	Weight	Rep kit	Alternative material
10	1091.397.001		RETAINING CLIP	1				0,149		
20	---		BOLT+NUT	1			M12X70	0,000		
---	0636.011.033		HEXAGON BOLT	1			M12X70	0,070		
---	0637.006.202		HEXAGON NUT	1			M12	0,010		
30	0636.016.136		HEXAGON BOLT	1			M12X16	0,028		
40	0501.325.199		BRACKET	1				0,000		

Parts list

Page 1 from 1

Material number: 1091.036.004

8 HP 90 A HIS SW /

Material-assembly-group-no: 6058.008.123



Pos.	Material number	Customer material	Name	Quantity	ME	Amend. no.	Techn. Info.	Weight	Rep kit	Alternative material
	6058.008.123		E-MODUL 8-GANG	1			REN90*LTCC GR.*SK061	0,000		